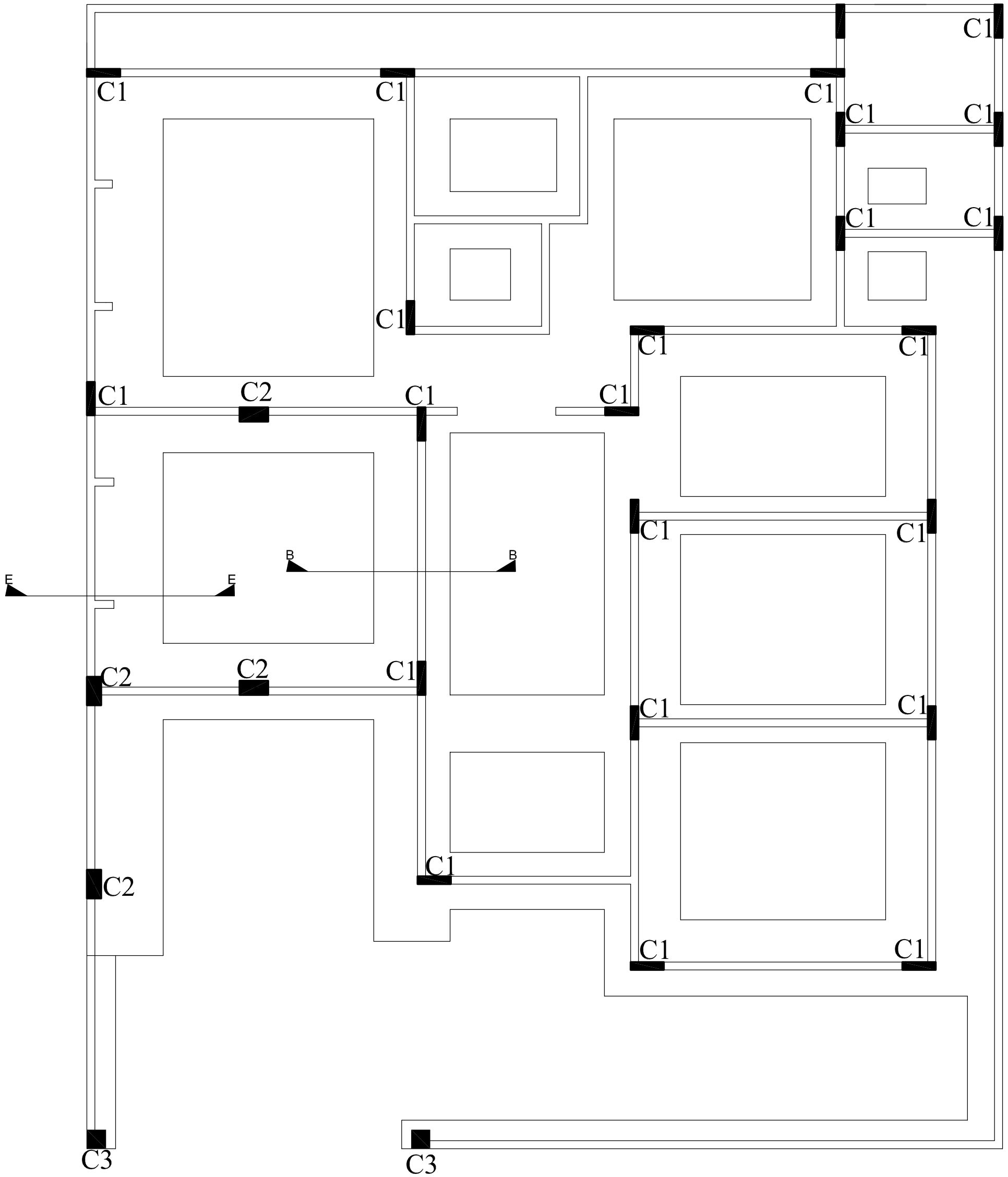


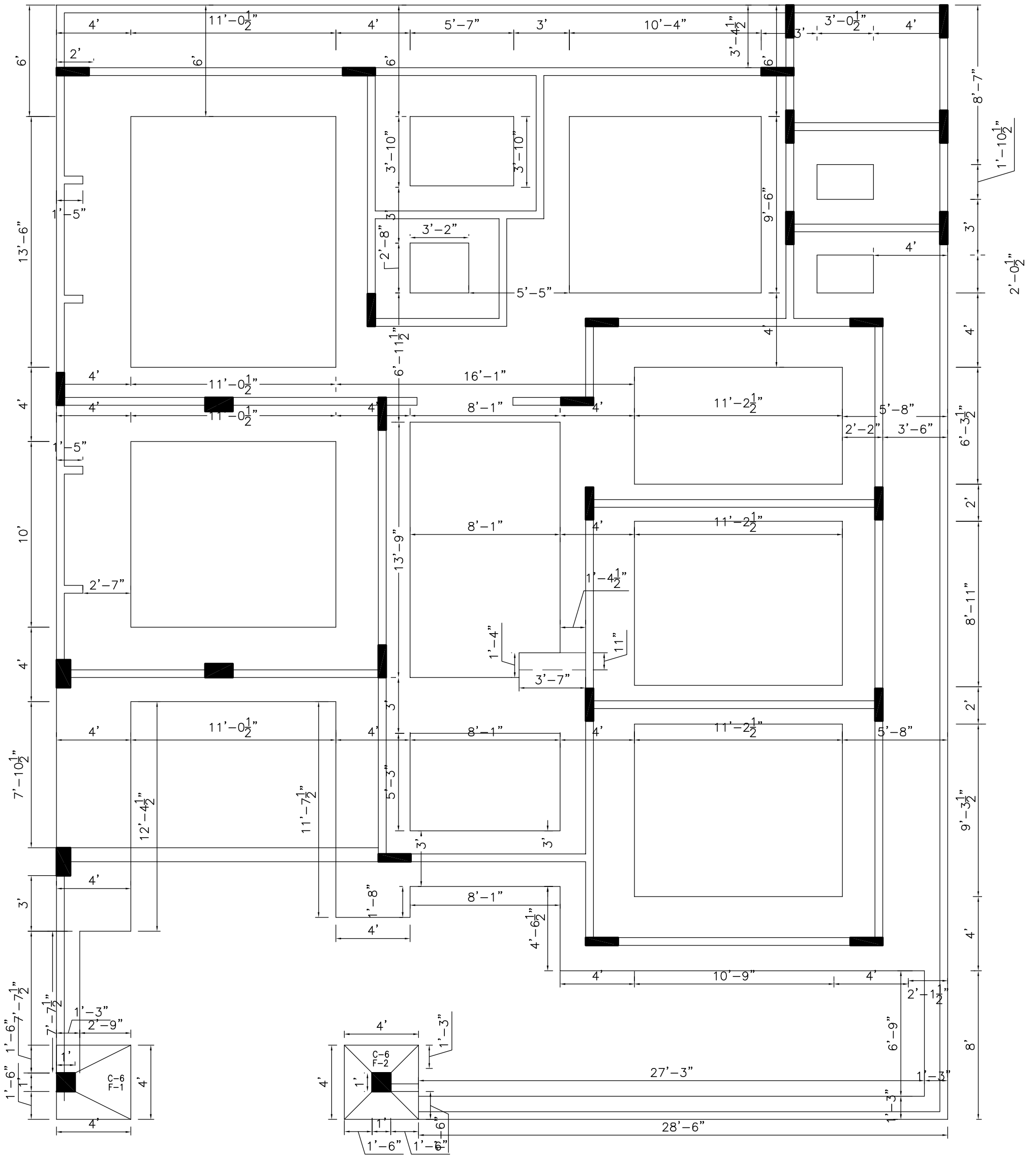
STRUCTURAL WORK SPECIFICATION AND GENERAL NOTES.

1. WORK THIS DRAWING WITH ALL OTHER RELEVANT DRAWINGS.
2. FOR DIMENSIONS & FLOOR LEVELS REFER TO ARCHITECTURAL DRAWINGS.
3. IN CASE OF ANY CONFUSION IN STRUCTURAL DRAWINGS. PLEASE ASK BEFORE EXECUTION OF WORK.
4. USE PORTLAND CEMENT CONCRETE AS UNDER
(a) FOR ALL STRUCTURAL MEMBERS EXCEPT COLUMNS USE MINIMUM MIX(1:2:4)WITH 3000 PSI. CYLINDER STRENGTH AT 28 DAYS.
5. USE GRADE-60 DEFORMED STEEL REINFORCEMENT BARS WITH MIN. TENSILE YIELD STRENGTH OF $F'c = 3,000$ PSI AS PER ASTM SPECIFICATIONS.
6. FOLLOWING ARE CLEAR CONCRETE COVERS TO BARS: –
 - (I) – SLAB TOP AND BOTTOM 3/4"
 - (II) – BEAMS (TOP & BOTTOM) 1"
 - (III) – COLUMN 1"
 - (IV) – FOOTINGS 1"
 - (V) – RETAINING WALL & WATER STRUCTURE 1"
7. THE CONSTRUCTION WORK MUST BE SUPERVISED BY QUALITY CIVIL ENGINEER.
8. SAFETY OF ADJACENT BUILDING DURING CONSTRUCTION WORK MUST BE ASSURED TO AVOID ANY DAMAGES.
9. USE ELECTROMECHANICAL VIBRATOR FOR COMPACTION OF CONCRETE.
10. PROVIDE WATER PROOFING COATING AT EXTERNAL SIDE OF BASEMENT R.C.C WALLS.

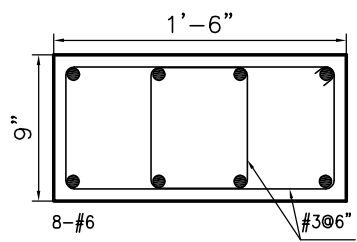




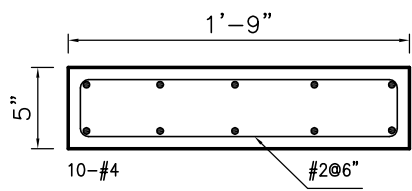
COLUMN FRAMING PLAN



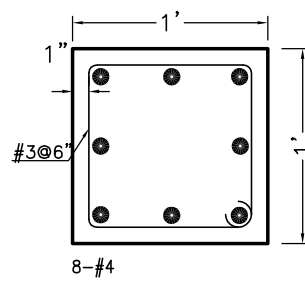
COLUMN FRAME WORKING PLAN



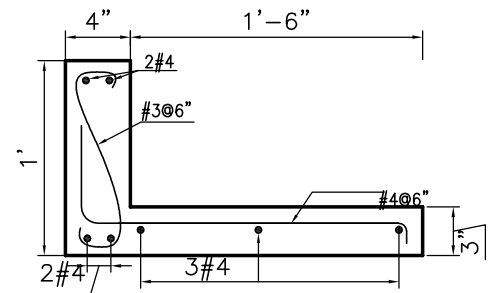
COLUMN SECTION-C-1
Scale 1" - 1'



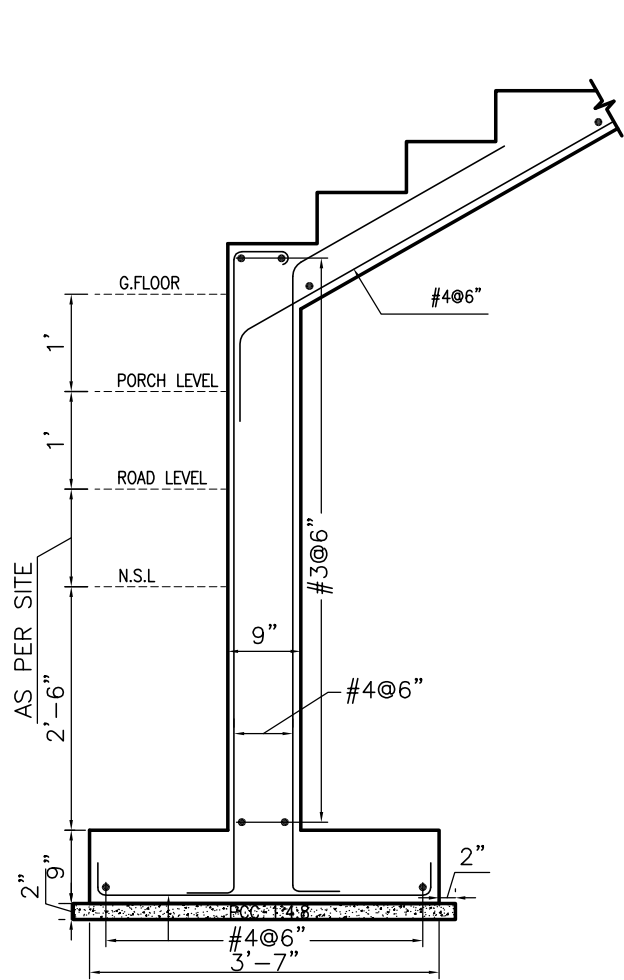
COLUMN SECTION-C-2
Scale 1" - 1'



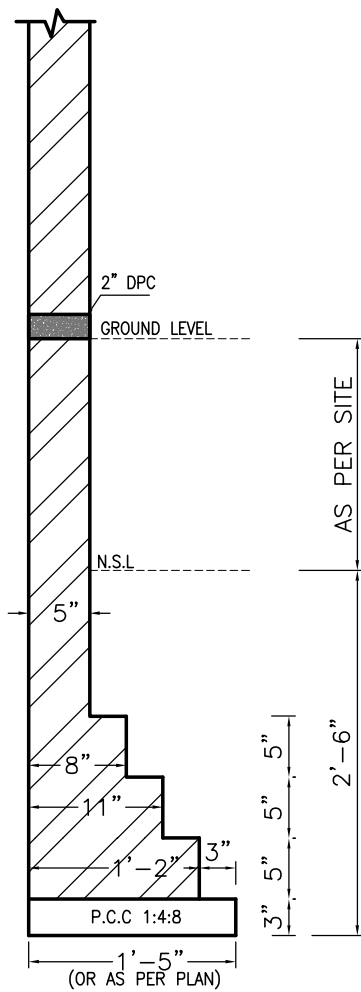
COLUMN SECTION-C-3
Scale 1" - 1'



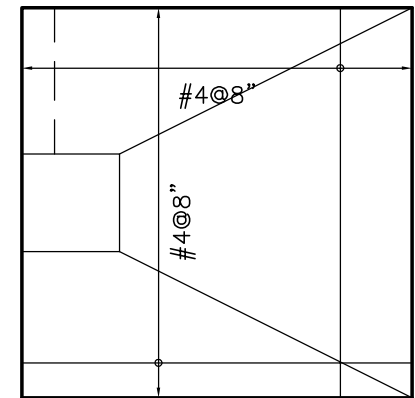
TYPICAL SUN-SHADE DETAIL
Scale 1" - 1'



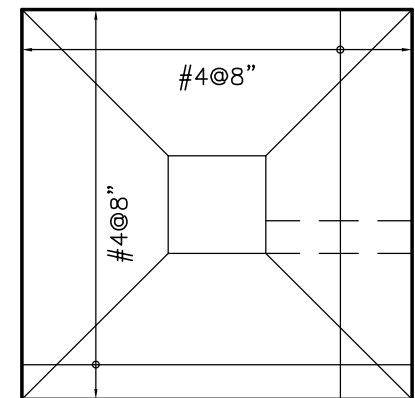
TYPICAL STAIR SECTION
Scale 1 / 2" - 1'



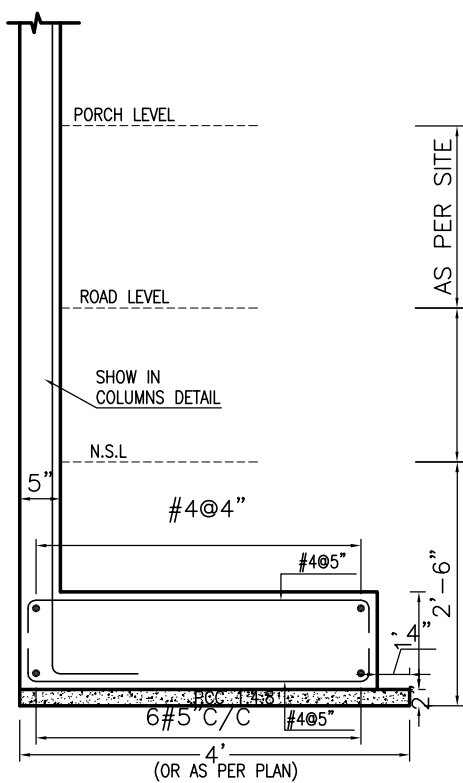
BOUNDARY WALL SECTION
Scale 3 / 4" - 1'



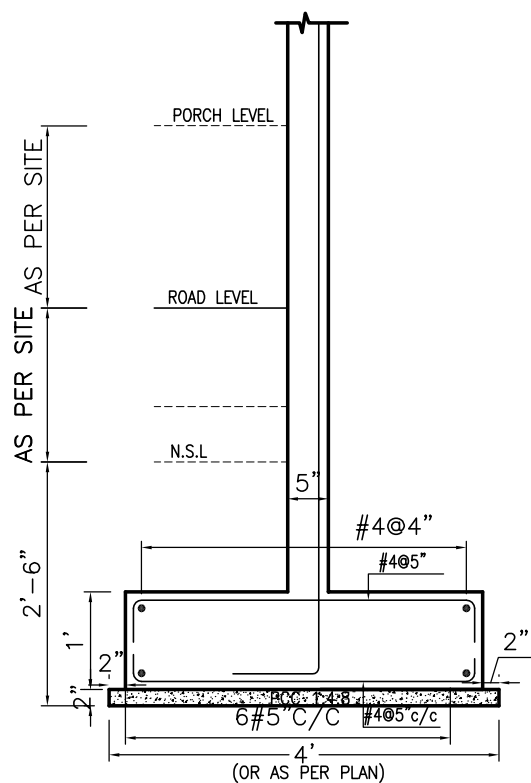
TYPICAL FOUNDATION F-1
Scale 1 / 2" - 1'



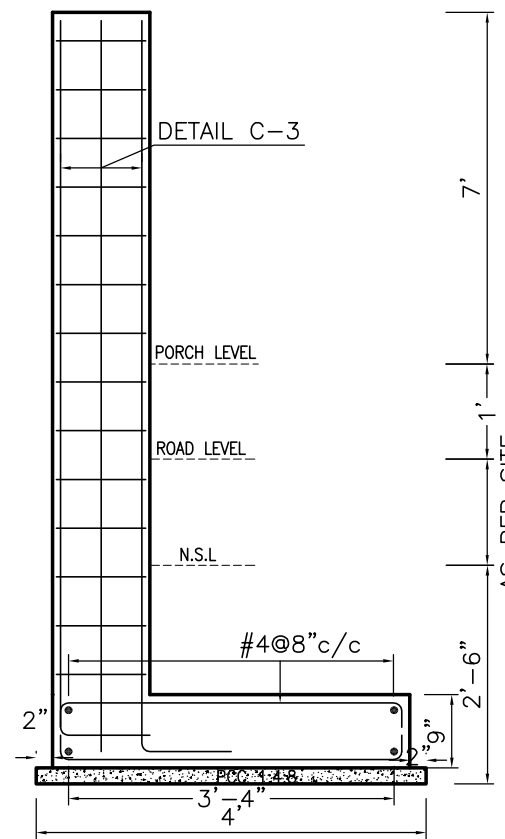
TYPICAL FOUNDATION F-2
Scale 1 / 2" - 1'



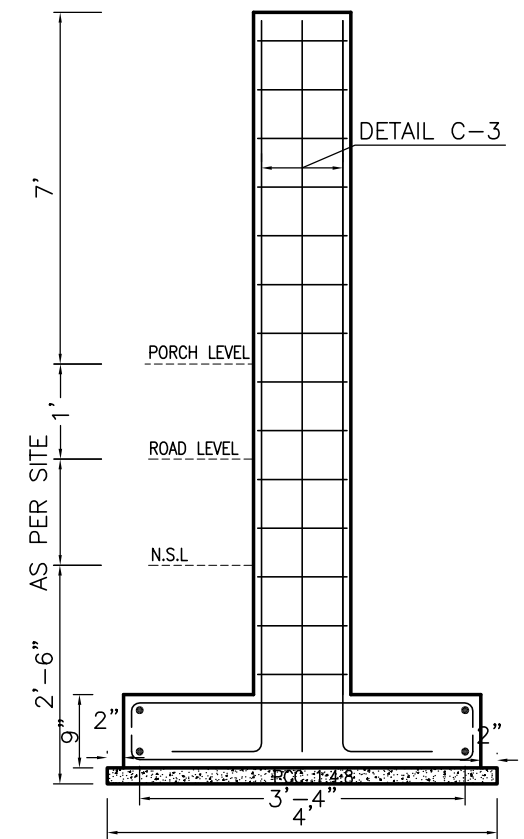
SECTION A-A
Scale 1 / 2" - 1'



SECTION B-B
Scale 1 / 2" - 1'

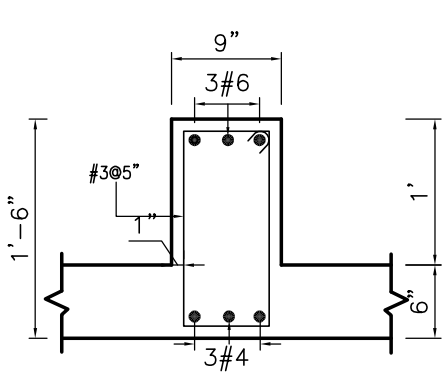
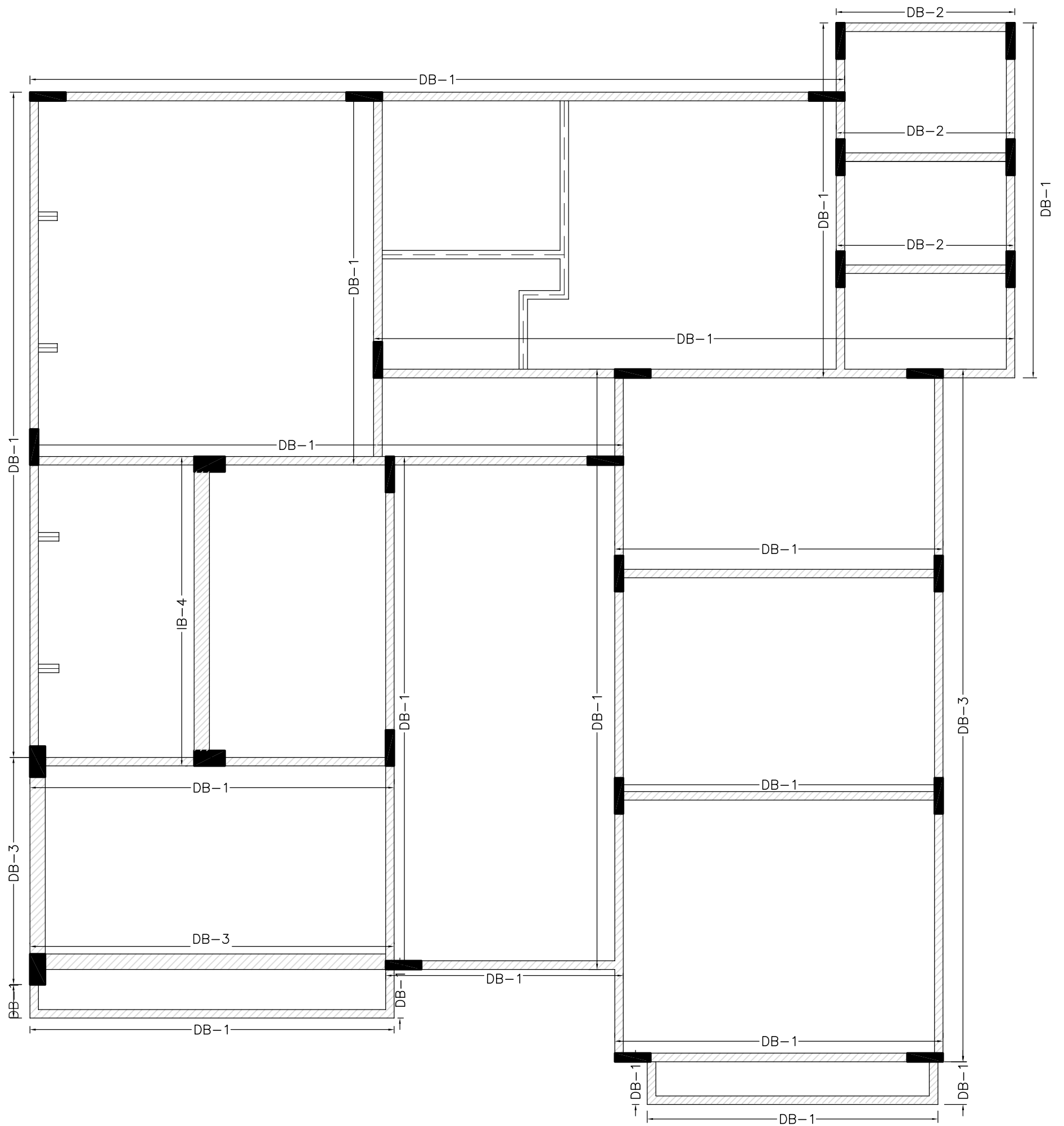


TYPICAL COLUMN FOOTING SECTION F-1
Scale 1 / 2" - 1'

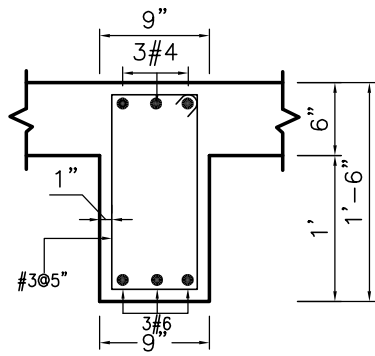


TYPICAL COLUMN FOOTING SECTION F-2
Scale 1 / 2" - 1'

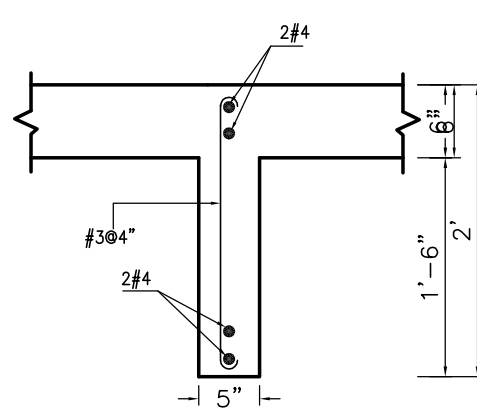




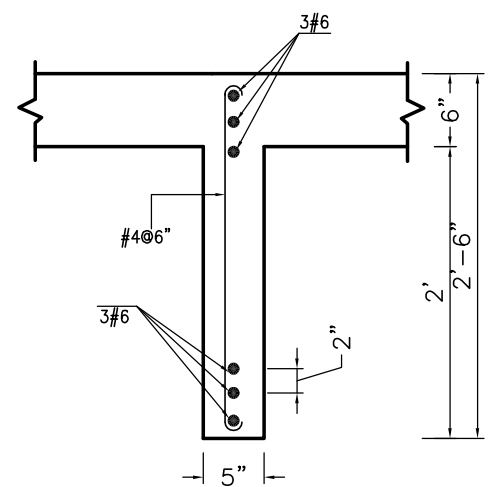
BEAM SECTION IB-1
Scale 3 / 4" - 1'



BEAM SECTION DB-3
Scale 3 / 4" - 1'

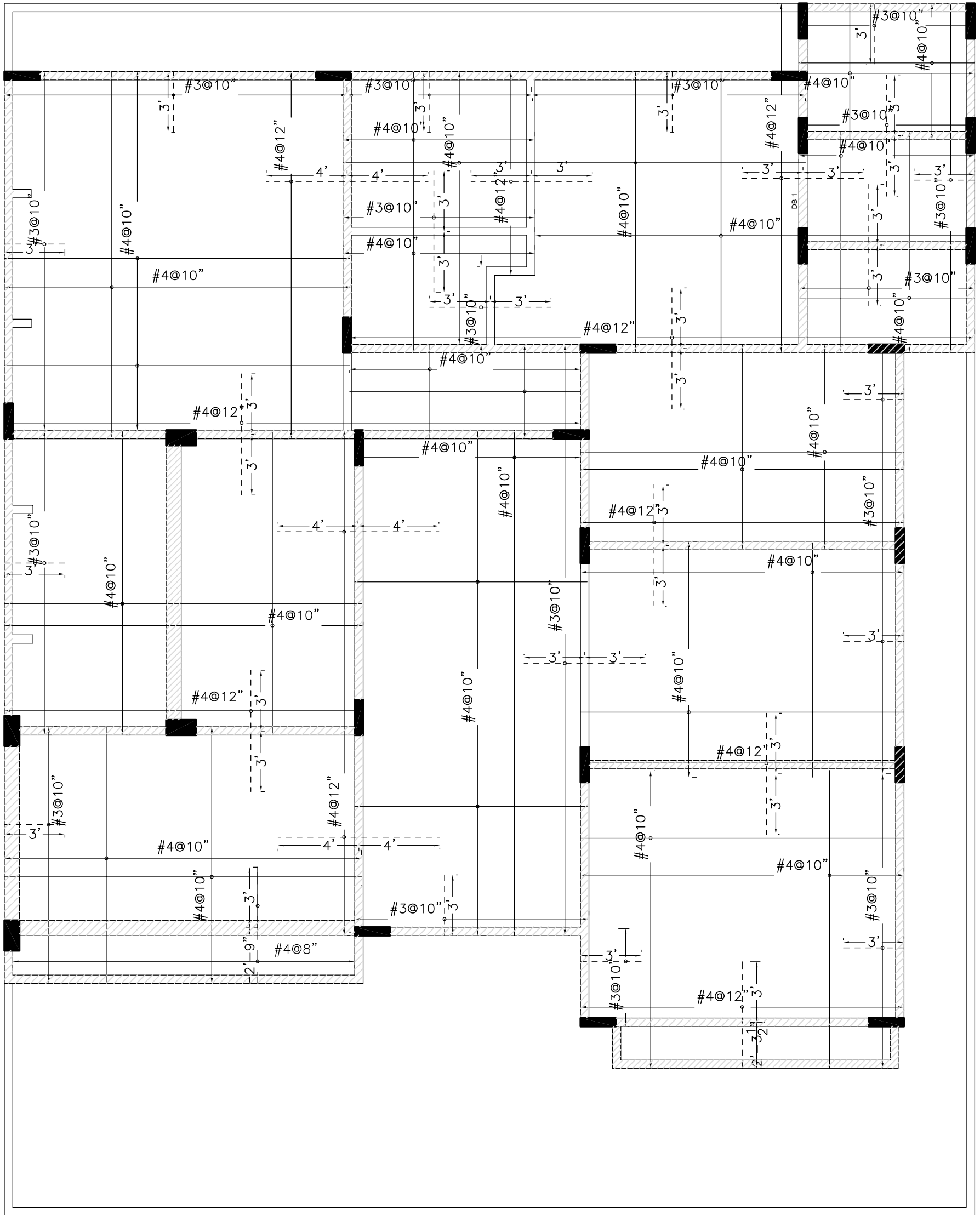


BEAM SECTION DB-2
Scale 3 / 4" - 1'



BEAM SECTION DB-2
Scale 3 / 4" - 1'





NOTE:

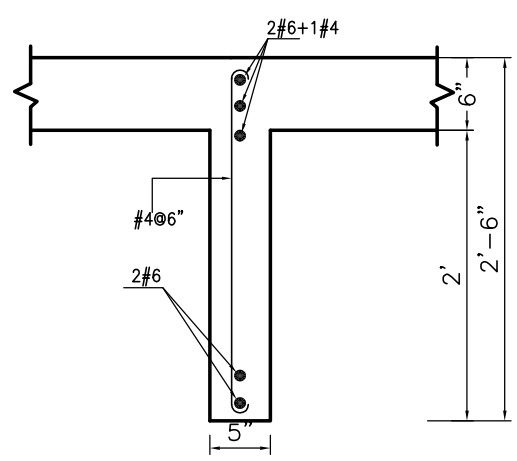
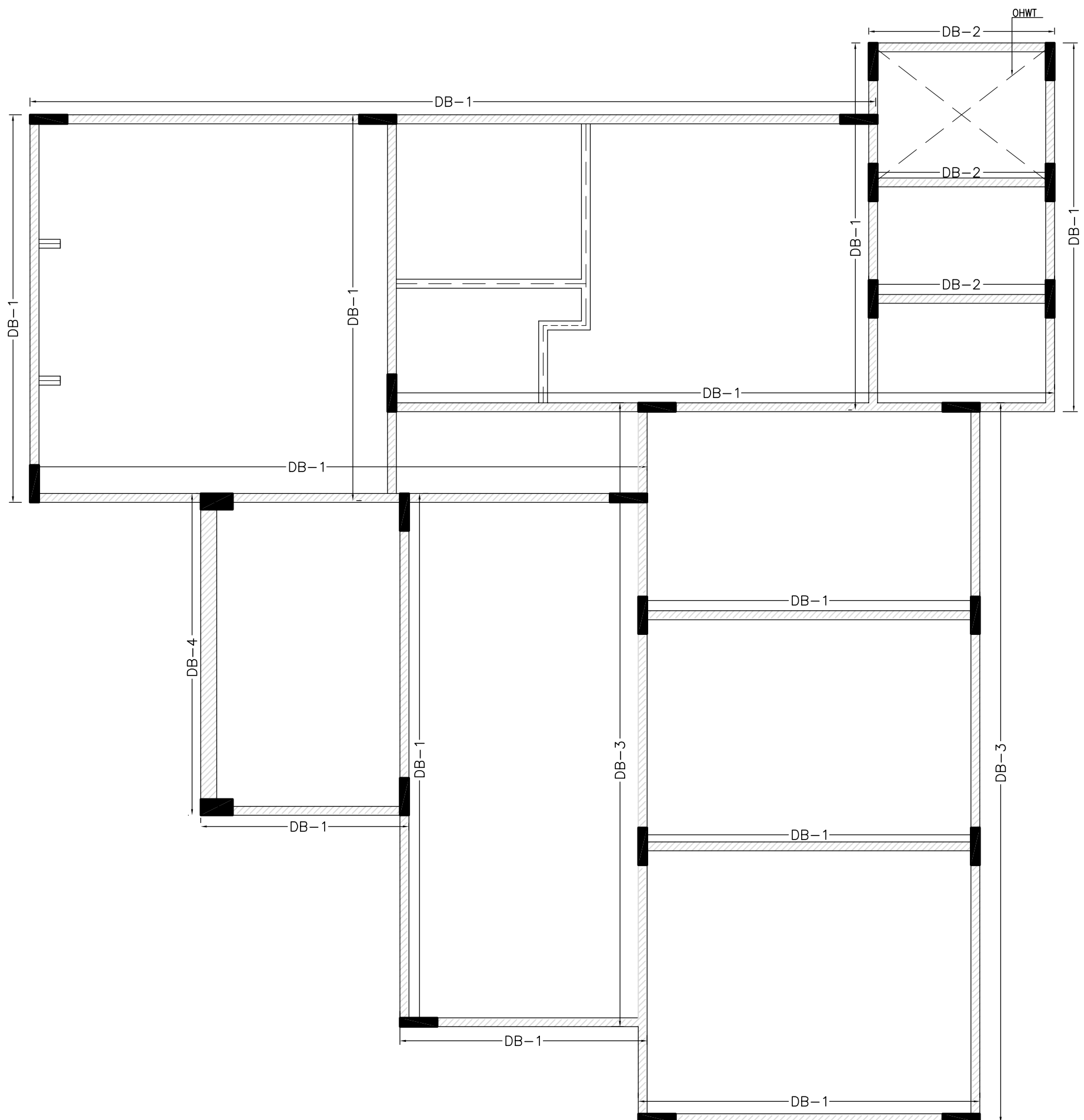
1. SLAB THICKNESS = 6"
2. ALL STEEL GRADE = 60
3. CONCRETE F'c = 3000PSI



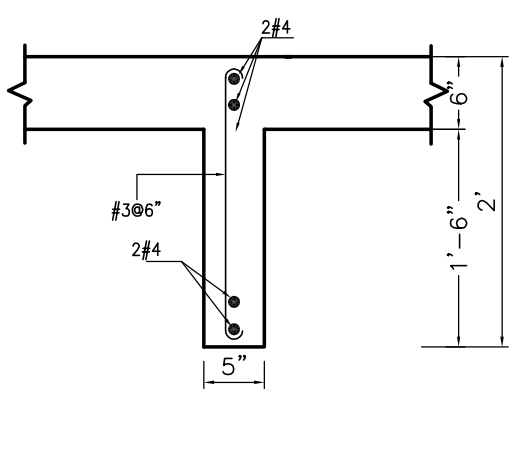
44-B, PCSIR PHASE-I, CANAL ROAD,
 LAHORE. 54000
 PH # 0092 315 511119
 www.gharplans.pk

GROUND FLOOR SLAB REINFORCEMENT DETAIL

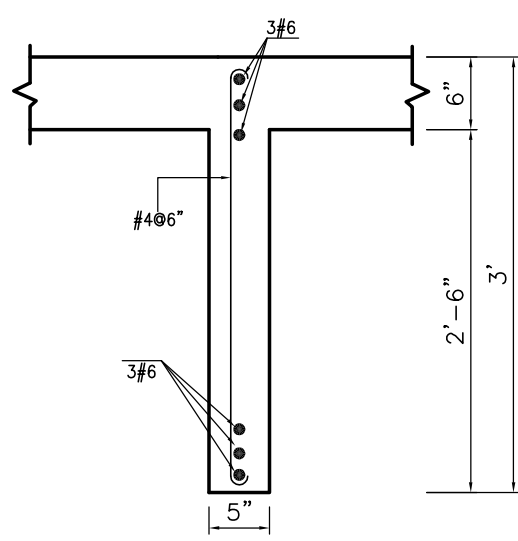
All drawings and written material appearing herein constitute original and unpublished work of the Contractor and may not be used or disclosed without prior written consent of the Contractor.



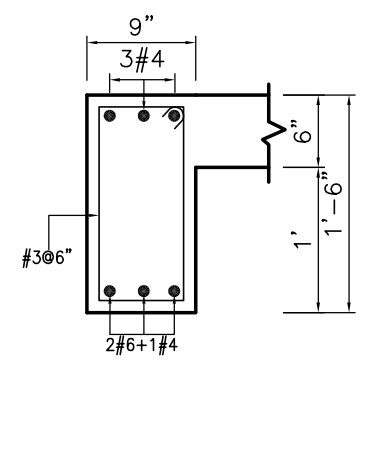
BEAM SECTION DB-1
Scale 3 / 4" - 1'



BEAM SECTION DB-2
Scale 3 / 4" - 1'



BEAM SECTION DB-3
Scale 3 / 4" - 1'



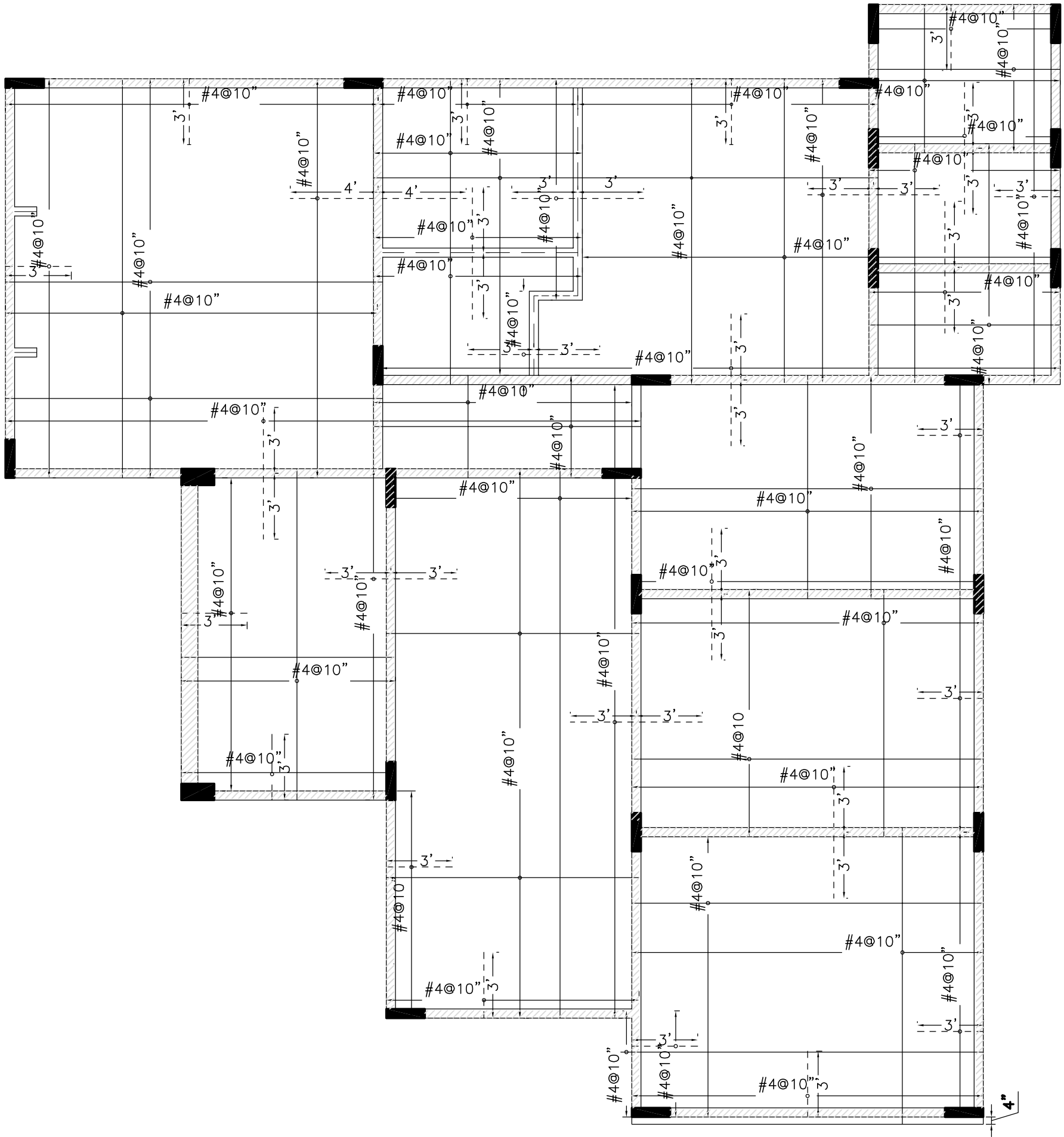
BEAM SECTION DB-4
Scale 3 / 4" - 1'



44-B, PCSIR PHASE-I, CANAL ROAD,
LAHORE. 54000
PH # 0092 315 5111119
www.gharplans.pk

FIRST FLOOR SLAB BEAM & DETAILS

All drawings and written material appearing herein constitute original and unpublished work of the Contractor and may not be used or disclosed without prior written consent of the Contractor.

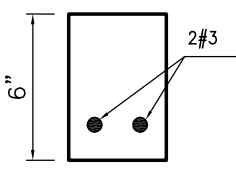
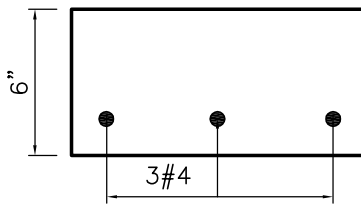
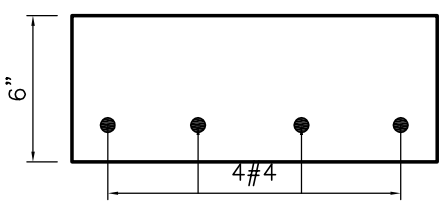
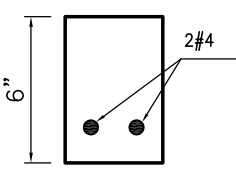
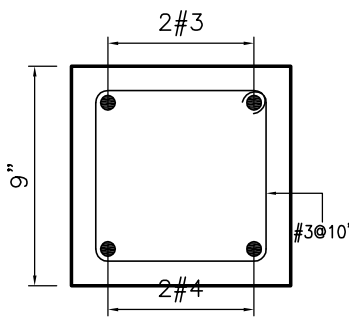
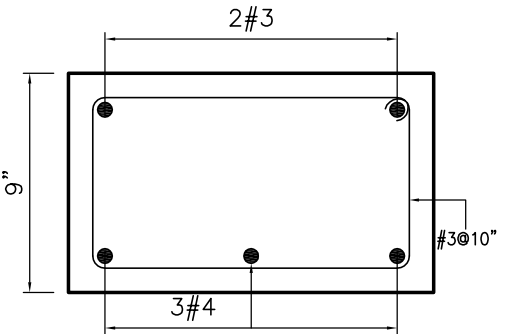
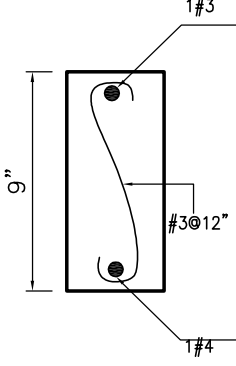
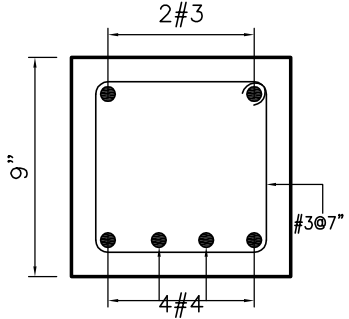
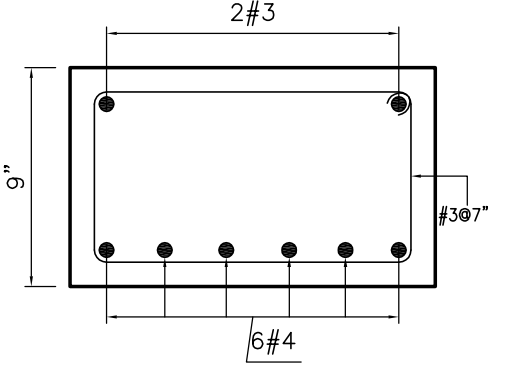
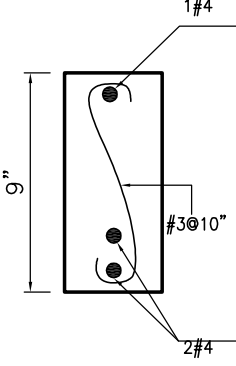
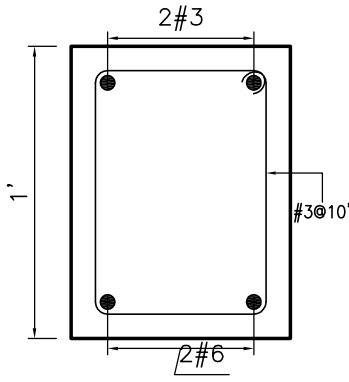
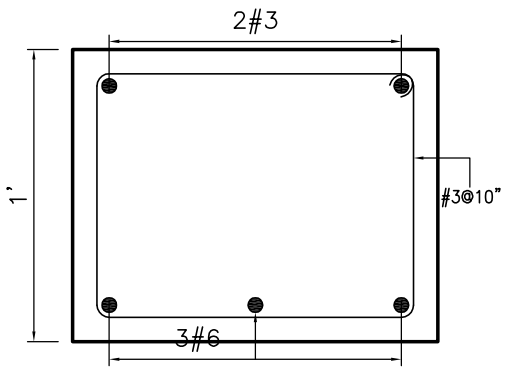
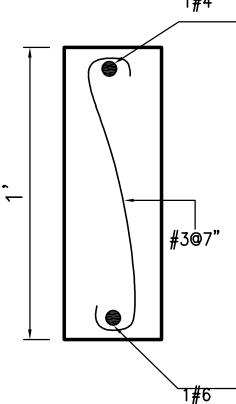
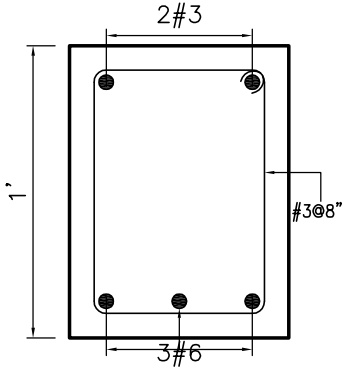
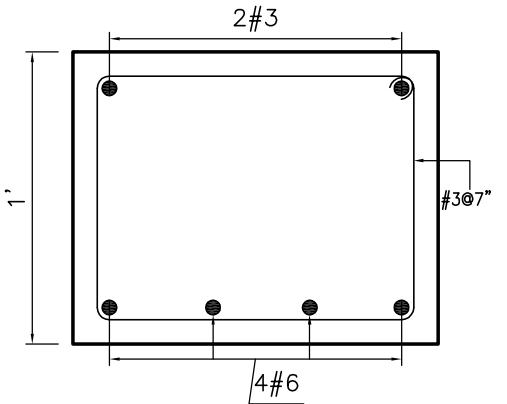


44-B, PCSIR PHASE-I, CANAL ROAD,
 LAHORE. 54000
 PH # 0092 315 511119
 www.gharplans.pk

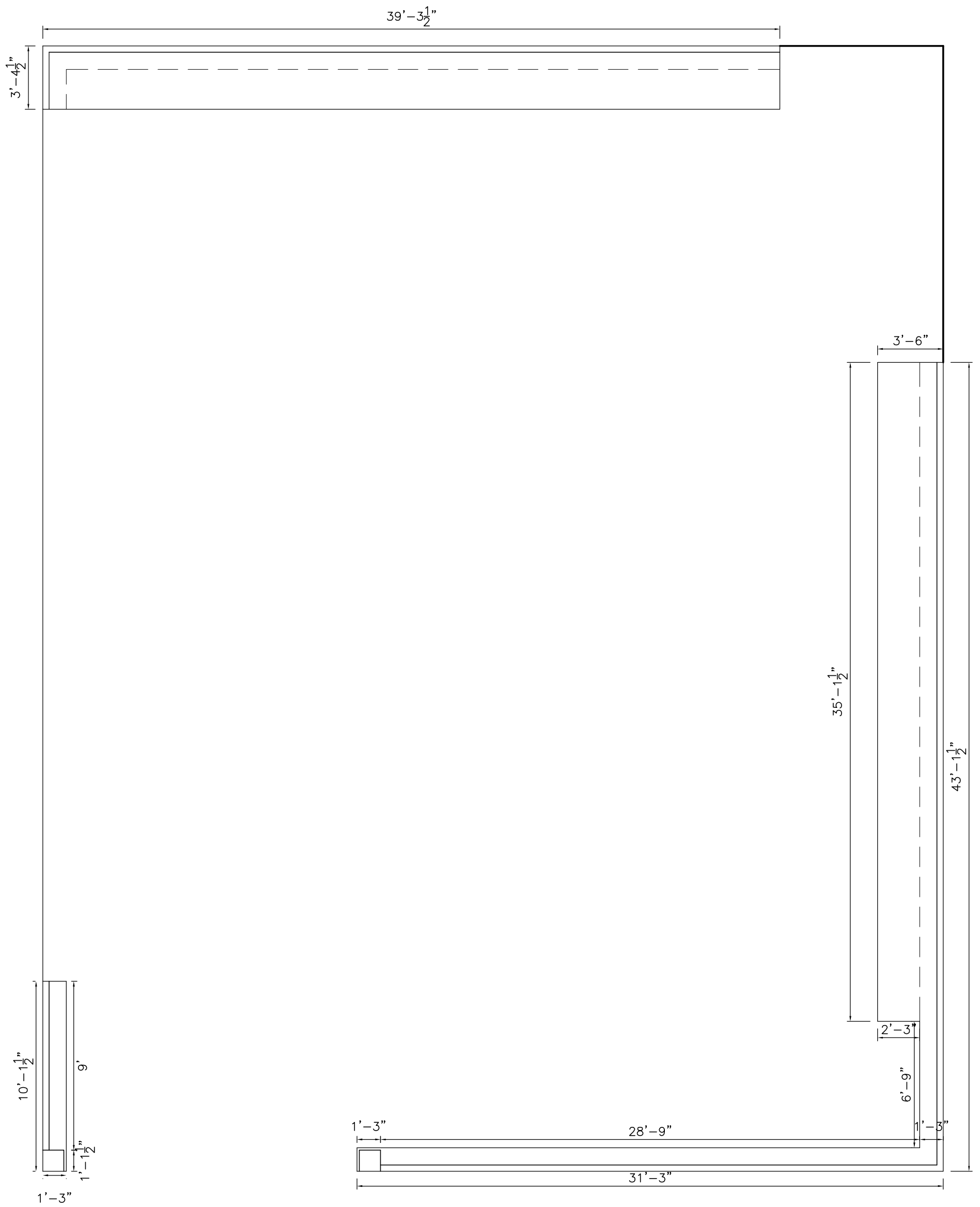
FIRST FLOOR SLAB REINFORCEMENT DETAIL

All drawings and written material appearing herein constitute original and unpublished work of the Contractor and may not be used or disclosed without prior written consent of the Contractor.

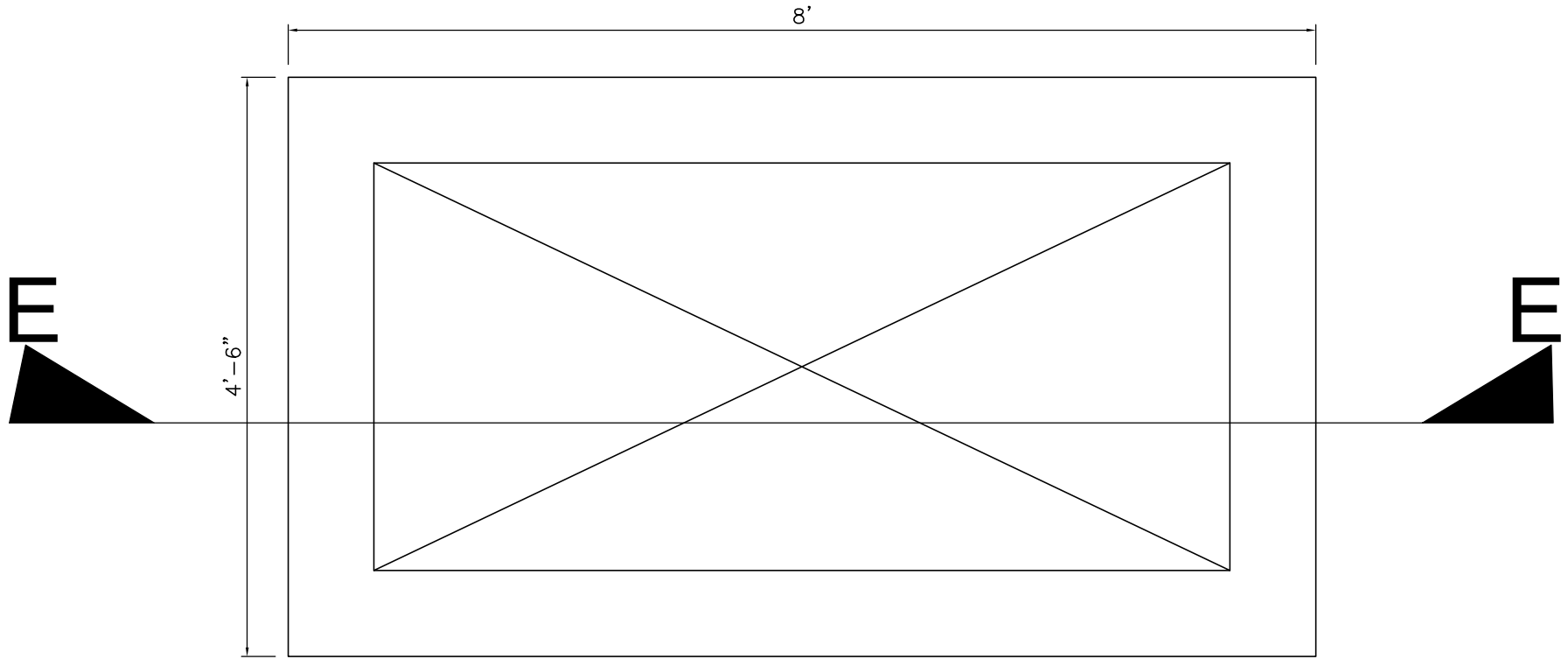
STANDARD DOOR/WINDOW LINTELS

SPAN RANGE	WALL THICKNESS		
	4½"-5"	9" & 11" CAVITY	13.5" & 15.5" CAVITY
UP to 4'-0"			
4'-3" to 6'-0"			
6'-3" to 7'-6"			
7'-9" to 8'-9"			
9'-0" to 10'-0"			

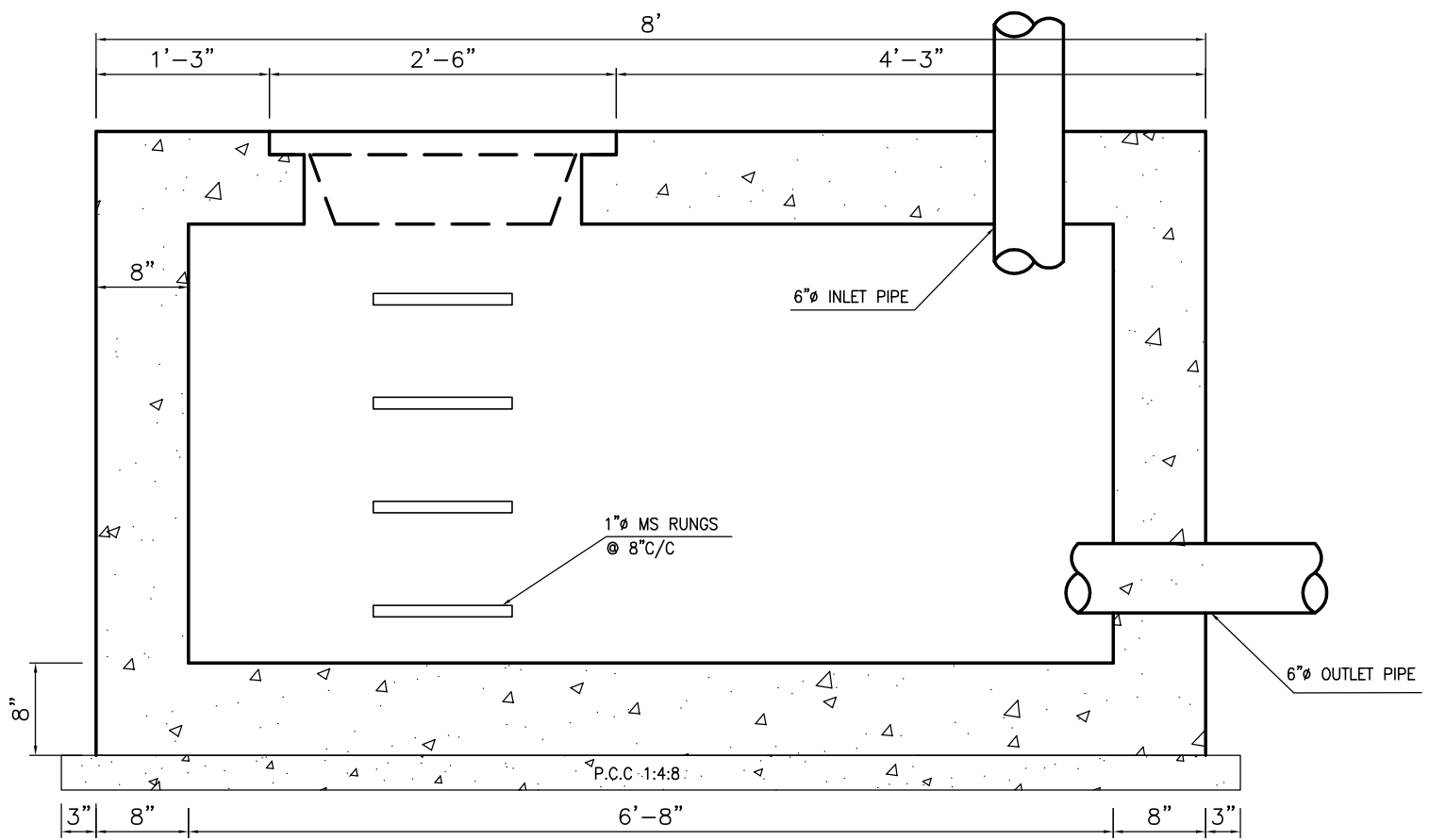




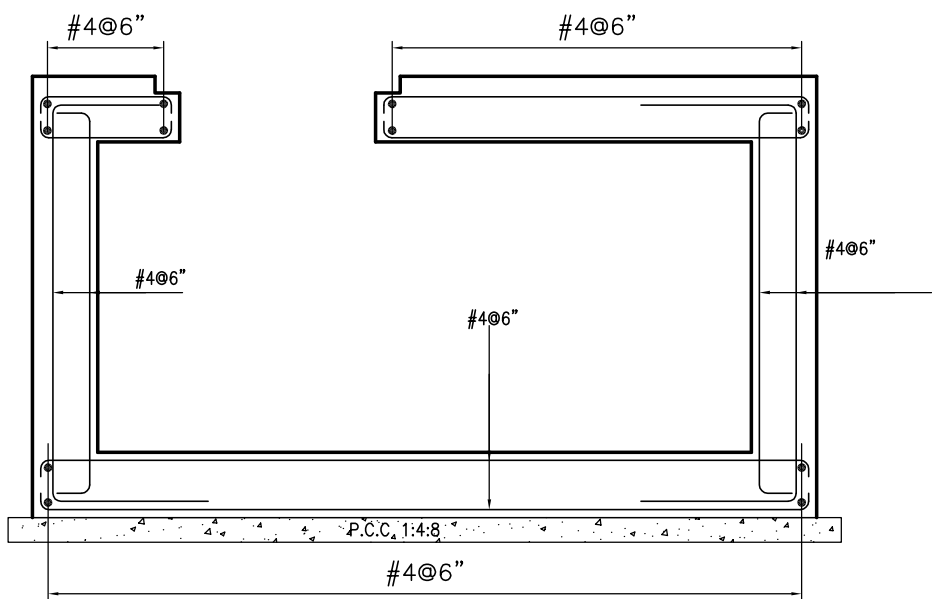
BOUNDARY WALL DETAIL



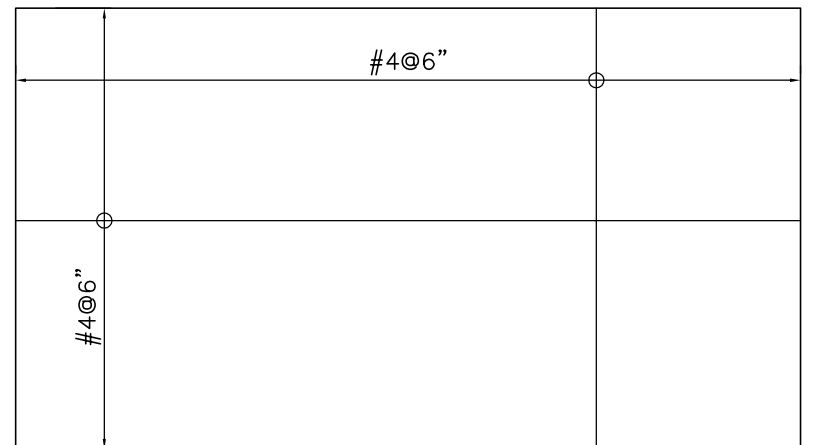
PLAN
Scale 3 / 4" - 1'



SECTION E-E
Scale 3 / 4" - 1'



SECTION E-E
Scale 1 / 2" - 1'



SLAB DETAIL
Scale 1 / 2" - 1'

NOTE:

1. SLAB THICKNESS 5"
2. ALL STEEL GRADE 60
3. CONCRETE F'C 3000PSI

